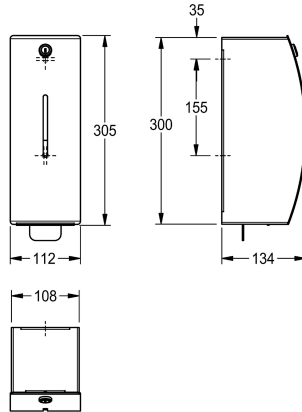


**KWC STRATOS**  
Foam soap dispenser for wall mounting

Modell-Linie: STRATOS | STR616 | 3600008870 | EAN/GTIN: 7612987159676  
Accessories | Soap dispensers



**Article Number**

**3600008870**  
Dimensions 112 x 305 x 134 mm (W x H x D)

STRATOS foam soap dispenser for wall mounting, stainless steel, surface satin finished, material thickness 1.5 mm, curved front with inspection window, cylinder lock with key, with stainless steel pull handle, suitable for KWC foam soap, including mounting

material and 650 ml KWC foam soap cartridge.  
Dimensions 112 x 305 x 134 mm (W x H x D)

**Technical Data**

Füllmenge	650
Füllmenge ME	ml
Schloss	Zylinderschloss
Material	Edelstahl
Materialtyp	1.4301 Chromnickelstahl V2A
Materialstärke	1.5 mm
Gesamttiefe	134 mm
Gesamthöhe	305 mm
Gesamtbreite	112 mm
Oberflächenbehandlung	seidenmatt
Art des Verbrauchsmaterials	Schaumseife
Art der Befestigung	geschraubt
Art der Montage	Wandmontage
Art der Bedienung	manueller Betrieb
Typ des Seifentanks/-pumpe	Einwegbeutel

**Consumables**

**KWC STRATOS**

Foam soap dispenser for wall mounting

**Modell-Linie: STRATOS | STR616 | 3600008870 | EAN/GTIN: 7612987159676**

Accessories | Soap dispensers



**Foam soap cartridge**

---

**2030058766**  
EXINX616FP

---