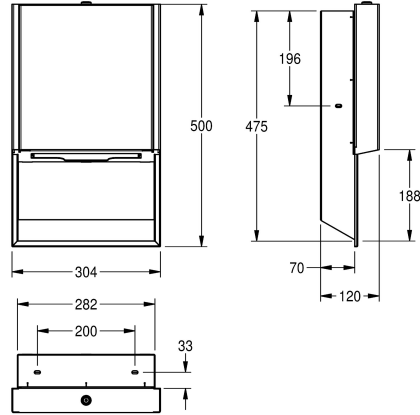


KWC EXOS. Paper towel dispenser

Modell-Linie: EXOS | EXO600EB
Accessories | Paper towel dispensers



KWC-No.

3600008902
Front stainless steel

3600008903
Stainless steel main housing, black toughened safety glass front panel

3600008953
Stainless steel main housing, white toughened safety glass front panel

Accent colour

stainless steel

black

white

EXOS paper towel dispenser for recessed mounting, stainless steel, surface satin finished, front black toughened safety glass, material thickness 1.2 mm, cylinder lock with key, capacity 300-400 pieces

for paper with Z-fold, including mounting material.

Dimensions 304 x 500 x 120 mm (W x H x D)

Technical Data

filling quantity

400

filling quantity uom

towels

lock

key-lock

material

stainless steel

material code

1.4301 Chrome Nickel steel V2A

material thickness

1.2 mm

overall depth

120 mm

overall height

500 mm

overall width

304 mm

surface finish

satin finished

type of consumable

paper towel

type of fixing

screw

type of mounting

recessed mounting

Accent colour

black

Basic colour

stainless steel

Optional Accessories

KWC EXOS. Paper towel dispenser

Modell-Linie: **EXOS | EXO600EB**
Accessories | Paper towel dispensers



EXOS. front with white safety glass panel

2030034672
ZEXOS600EW



EXOS. stainless steel front for paper towel dispenser for recessed mounting

3600008927
ZEXO600E

Consumables



Paper towels

2030072378
FH70P
