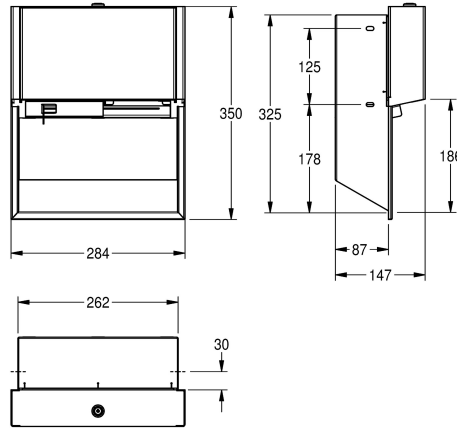


KWC EXOS.

Double toilet roll holder for recessed mounting

Modell-Linie: EXOS | EXO676EB

Accessories | WC-roll holders



Article Number

3600008924

Front stainless steel

3600008925

Stainless steel main housing, black toughened safety glass front panel

3600008952

Stainless steel main housing, white toughened safety glass front panel

Accent colour

stainless steel

black

white

EXOS double toilet roll holder with spindle system for recessed mounting, stainless steel, surface satin finished, front black toughened safety glass, material thickness 1.2 mm, closed casing, cylinder lock with key, for two rolls with a maximum diameter of

120 mm, release of the invisible spare roll after use of the first roll, including mounting material.

Dimensions 284 x 350 x 147 mm (W x H x D)

Technical Data

maximum depth/diameter of cons

120 mm

maximum width of consumable

100 mm

filling quantity

2

filling quantity uom

rolls

lock

key-lock

material

stainless steel

material code

1.4301 Chrome Nickel steel V2A

material thickness

1.2 mm

overall depth

147 mm

overall height

350 mm

overall width

284 mm

spindle

yes

type of fixing

screw

type of mounting

recessed mounting

Accent colour

black

Basic colour

stainless steel

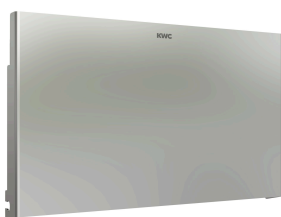
Optional Accessories

KWC EXOS.

Double toilet roll holder for recessed mounting

Modell-Linie: EXOS | EXO676EB

Accessories | WC-roll holders



**EXOS. stainless steel front for EXOS.
double toilet roll holder for recessed
mounting**

3600008942
ZEXO676E

**EXOS. front with white safety glass
panel**

2030034712
ZEXOS676EW
