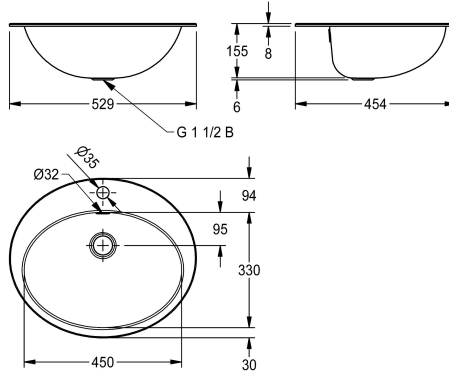


**KWC RONDO**  
Oval inset basin

Modell-Linie: **RONDO** | **RDXO451** | **3600009758** | **EAN/GTIN: 7612987009155**  
Washbasins & Washtroughs | Wash basins



**Article Number**

**3600009757**

**3600009758**

Surface satin-finished

**bowl finish**

high polished

satin finished

NEW

RONDO oval inset vanity basin, can be mounted from top or underneath, stainless steel, satin-finished surface inside and out, material thickness 1 mm, overflow, drain and overflow kit G 1 1/2 B with plug waste, tap ledge 94 mm with tap hole diameter 35 mm, stainless steel lugs for underneath mounting are included.

Dimensions 529 x 161 x 454 mm (W x H x D)  
Bowl Dimensions 450 x 155 x 330 mm (W x H x D)  
Outcut diameter for mounting from top 511 x 436 mm  
Outcut diameter for mounting from underneath 440 x 320 mm

**Technical Data**

bowl position	center
bowl - bowl height	155 mm
bowl finish	satin finished
bowl - depth	330 mm
bowl shape	oval
bowl - width	450 mm
colour	No colour
material	stainless steel
material code	1.4301 Chrome Nickel steel V2A
material thickness	1 mm
overall depth	454 mm
overall height	161 mm
overall width	529 mm
overflow	yes
overflow position	back
rear upstand	no
siphon included	no
splash back	no
surface finish	satin finished
number of tap holes	1
tap hole diameter	35 mm
tap hole position	middle

**KWC RONDO**  
Oval inset basin

**Modell-Linie: RONDO | RDXO451 | 3600009758 | EAN/GTIN: 7612987009155**  
Washbasins & Washtroughs | Wash basins

tap ledge	yes
tap ledge position	back
type of mounting	inset mounting
type of waste kit	plug waste
waste hole position	centre back
waste hole projection	189 mm
waste kit included	yes
waste size	DN 40